

POS
1ST



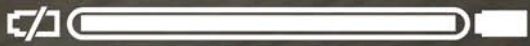
alcon
specialist brakes & clutches



ALCON
EXPERIENCE



CONTACT
ALCON COMPONENTS LTD
APOLLO
TAMWORTH
B79 7TN
+44 (0) 1827 72 37 00



Alcon's Advantage Extreme brake kits are **specifically engineered** to give you **exceptional braking performance control**

WHAT'S IN THE BOX?

The Advantage Extreme kit is supplied in two boxes, one for each hand, and includes all the parts that you will need.

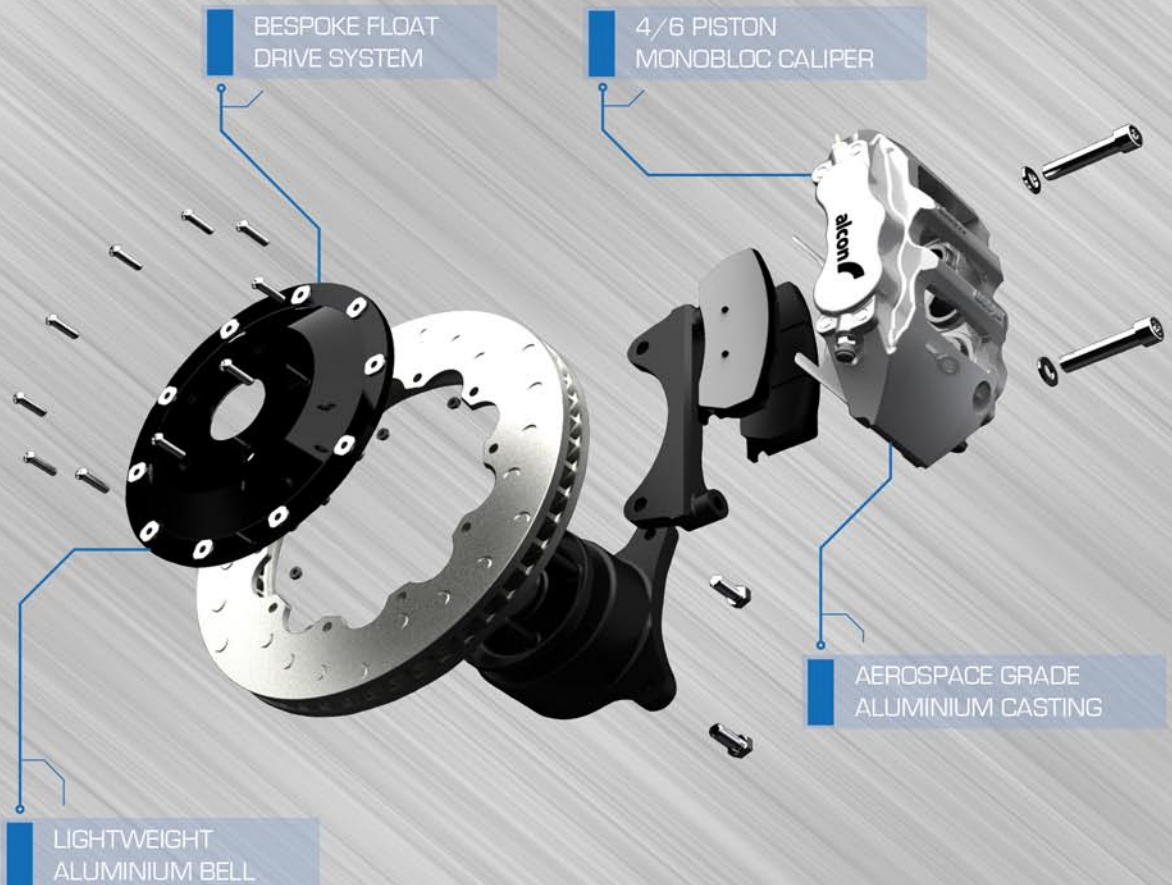
- Special alloy and disc bell assembly
- Monobloc 4 or 6 piston caliper
- Low noise, fade resistant pads
- Brackets and fixings
- High performance brake fluid



Please check that your wheels are compatible with the Advantage extreme brake kit by obtaining a radial profile template from your dealer or from our website at www.alcon.co.uk

Alcon Advantage Extreme brake kits need to be fitted as a **matched pair of brakes**.

CALIPERS. DISCS. PADS.



DISCS.

Advantage Extreme discs have been engineered to produce optimum bite, thermal stability and durability in an exceptionally high strength to low weight design. This has been achieved by combining a special Alcon developed iron alloy disc with an aerospace specification alloy bell.

Other disc benefits:

- Unique crescent grooves on friction faces provide the bite usually associated with drilled discs without the attendant durability problems
- Directional curved cooling vanes for optimum cooling performance
- Alcon's floating disc system (as used in the majority of applications) has been designed to allow thermal expansion of the disc throughout its life whilst minimising the tendency to judder



PADS.

These low noise pads offer strong cold performance for start up and city driving and are especially formulated for excellent resistance to fade at elevated temperatures.

CALIPERS.

Advantage Extreme calipers are gravity die cast monobloc constructions using aluminium alloy for optimum strength and weight.

Other caliper benefits:

- Monobloc 4 or 6 piston design for high stiffness (firm pedal) with low weight
- Piston bore sizes are staggered to ensure even pad wear
- Pin-mounted pads provide low threshold pressure and low noise



TYPICAL APPLICATIONS

ADVANTAGE
EXTREME



BMW
E90 E91 E92 E93



HONDA CIVIC
TYPE R F02



SUBARU
IMPREZA STi



GOLF 4, 5 & 6
PLATFORMS*

*INCLUDES VW SCROCCO R

FOR MORE INFORMATION REGARDING AVAILABILITY & FULL LIST OF APPLICATIONS

PLEASE CONTACT US ON
T +44 (0) 1827 72 37 00

E info@alcon.co.uk

www.alcon.co.uk